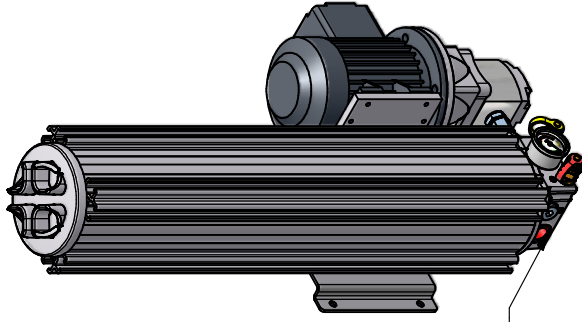
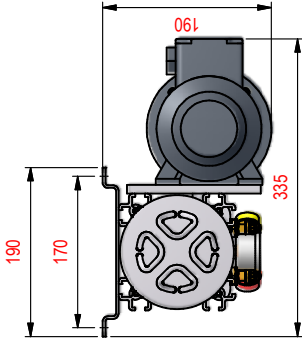


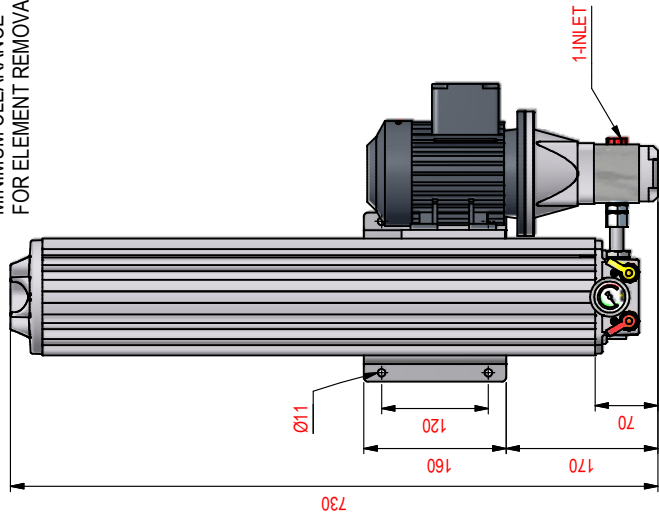
MODEL (1 : 6)



2-OUTLET



MINIMUM CLEARANCE
 FOR ELEMENT REMOVAL



1-INLET

Pos	Qty	Description	Size	Material	Remarks
2	1	OUTLET	G1/2" - BSP		Female
1	1	INLET	G3/8" - BSP		Female

		Website : WWW.RMFFILTER.COM Designed by M.W. Designed date 17-11-2008 Design state WorkInProgress Checked by Checked date PROJECTION DIMENSIONAL TOLERANCE ACCORDING TO ISO 2768H / NEN 2285 SCALE : 1:1		Revision Date Description Name DOCUMENT TITLE RMF OLU1B30HB01000 RMF - OFF LINE UNIT	
ARTICLE NUMBER 9317527		DRAWING NUMBER A3--9-294-12158		REVISION	

